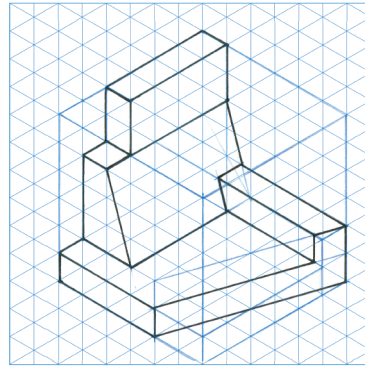


Orthographic 6.4

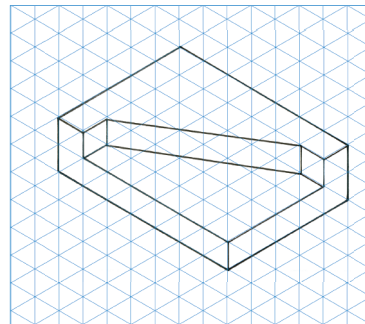
Third Angle Projection

Use the squares on the grid to complete the TAP drawings. Use a ruler and pencil and show all hidden detail with dotted lines. Refer to figs 6.4a and 6.4b for dimensions.

6.4a



6.4b



The diagram shows two sets of orthographic projections. The top set is for figure 6.4a and the bottom set is for figure 6.4b. Each set includes a Plan view, a Front view, and a Right view. The Plan view is a 4x4 grid with a diagonal line from the top-left to the bottom-right. The Front view is a 4x4 grid with a diagonal line from the top-left to the bottom-right. The Right view is a 4x4 grid with a diagonal line from the top-left to the bottom-right. The labels 'Plan', 'Left', 'Front', and 'Right' are placed below their respective views.